

Certificate of Copyright



This certificate is issued under the attestation of The Copyright Index in accordance with international copyright laws. It verifies that registration has been made for the work identified below, and confirms the date on which the proof of copyright was witnessed by The Copyright Index.

James Anderson
Registrar of Copyrights



Registration Number
CI-312364828

<https://copyrightindex.com/verify/>

Copyright Holder

Copyright Holder	Metro-smart International Trading And Contracting
Registered By	Mr Graham Vaughan
Address	Building 27 Porto Arabia Drive., Street 123, The Pearl, Doha, Qatar, 66 -, Qatar

Copyright Details

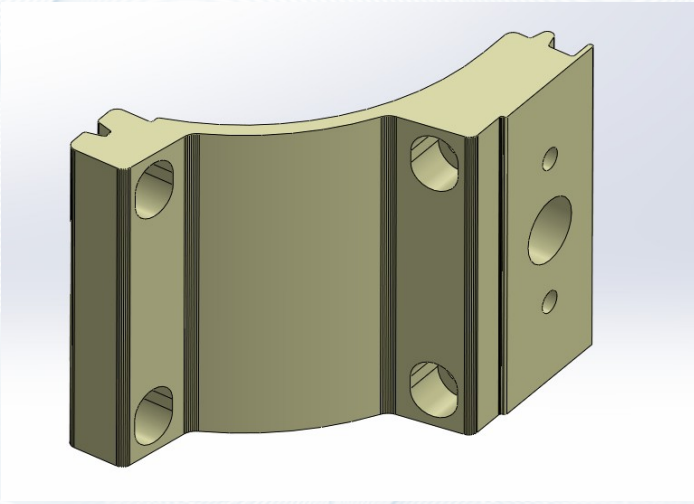
Registration Number	CI-312364828
Date of Registration	16 June 2022, 05:30 GMT
Title of Work	Multi-purpose NC pole bracket
Nature of Work	Street infrastructure
Year in which work was created	2019
Country in which work was created	Australia
Description	Can be used to hold: - pedestrian light arm - signage - lightbox - CCTV camera - flower basket

Files

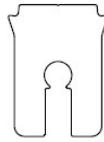
bracket-T1-(NC232).DXF

bracket-T1-(NC232).STEP

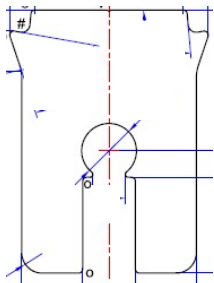
bracket-T1-(NC232).PDF



Please specify exposed surface. Otherwise we will consider it has no exposed surface.



1 : 2



Section A-A

d.

